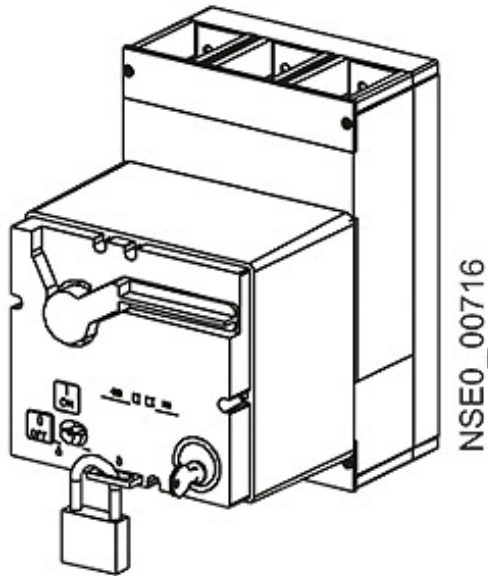


accessory for VL630, VL800, mot. op. mech. w/ strd en. mech
220...250V AC/DC



Model	
product brand name	SETRON
Product designation	Motorized operating mechanism with stored energy mechanism
Design of the product	Accessories for VL630; VL800
Type of the driving mechanism	Motorized operating mechanism with spring energy store

General technical data	
Break time / typical	5 s
Pulse duration / minimum	50 ms
Operating frequency / maximum	60 1/h

Voltage	
Fuse protection type / for external auxiliary power supply / required	NEOZED fuse (gL/gG): 2 A / miniature circuit breaker, C char.: 2 A
operating range factor control supply voltage rated value	
• at DC / initial value	0.85
• at DC / full-scale value	1.1
• at AC / at 50 Hz / initial value	0.85
• at AC / at 50 Hz / full-scale value	1.1

- at AC / at 60 Hz / initial value 0.85
- at AC / at 60 Hz / full-scale value 1.1

Protection class

Protection class IP IP30

Current

Make time / typical 0.1 s

Control current

Operating apparent output 250 V·A

Control supply voltage

- at DC / rated value / minimum 250 V
- at DC / rated value / maximum 220 V
- at AC / at 50 Hz / rated value / minimum 220 V
- at AC / at 50 Hz / rated value / maximum 250 V
- at AC / at 60 Hz / rated value / minimum 220 V
- at AC / at 60 Hz / rated value / maximum 250 V

Accessories

Accessories Accessories for VL630; VL800

Connections

Wire stripping length 10 mm

connectable conductor cross-section / solid

- minimum 0.75 mm²
- maximum 1.5 mm²

Connectable conductor cross-section / stranded

- minimum 0.75 mm²
- maximum 1.5 mm²

connectable conductor cross-section / finely stranded / with core end processing

- minimum 0.75 mm²
- maximum 1.5 mm²

Tightening torque

- maximum 1 N·m

Mechanical Design

Height 190 mm

Width 173 mm

Depth 160 mm

net weight 5 639 g

Environmental conditions

Ambient temperature / during operation

- minimum -25 °C
- maximum 70 °C

Ambient temperature / during storage	
• minimum	-40 °C
• maximum	80 °C

Certificates

• reference code / acc. to DIN EN 61346-2	M
• Reference code / acc. to DIN EN 81346-2	M

General Product Approval	EMC	Declaration of Conformity	Test Certificates	Shipping Approval
--------------------------	-----	---------------------------	-------------------	-------------------

[Miscellaneous](#)



C-Tick



EG-Konf.

[Special Test Certificate](#)



BUREAU VERITAS



PRS

Shipping Approval	other
-------------------	-------



RINA



RMRS

[Miscellaneous](#)

[Environmental Confirmations](#)

[Confirmation](#)

[Manufacturer Declaration](#)

Further information

Information- and Downloadcenter (Catalogs, Brochures,...)

<http://www.siemens.com/lowvoltage/catalogs>

Industry Mall (Online ordering system)

<https://mall.industry.siemens.com/mall/en/en/Catalog/product?mlfb=3VL9600-3MQ00>

Service&Support (Manuals, Certificates, Characteristics, FAQs,...)

<https://support.industry.siemens.com/cs/ww/en/ps/3VL9600-3MQ00>

Image database (product images, 2D dimension drawings, 3D models, device circuit diagrams, ...)

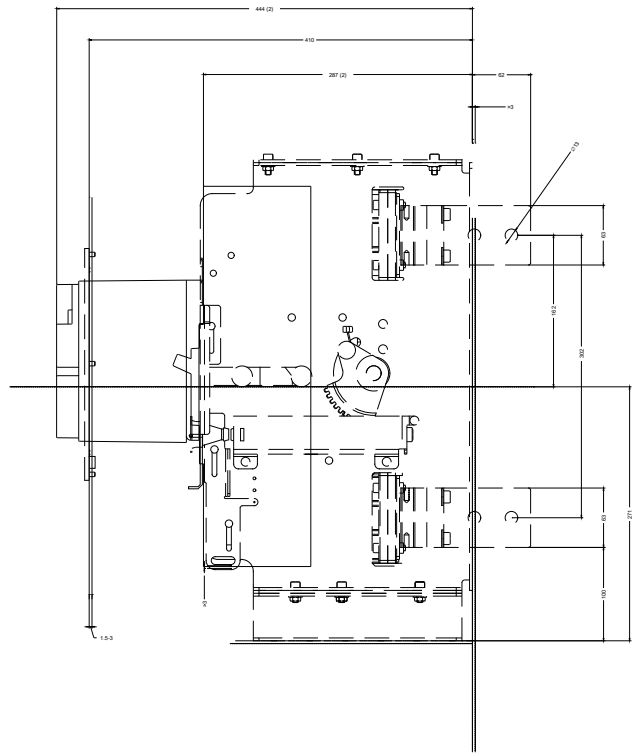
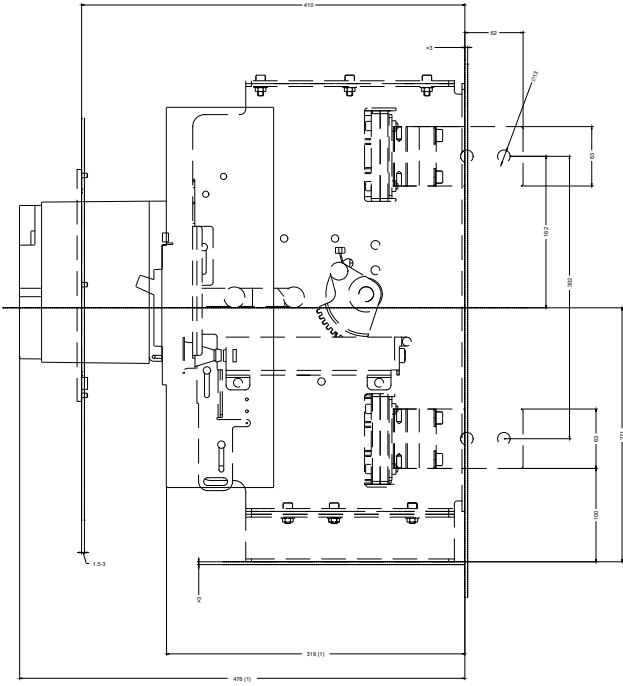
http://www.automation.siemens.com/bilddb/cax_en.aspx?mlfb=3VL9600-3MQ00

CAX-Online-Generator

<http://www.siemens.com/cax>

Tender specifications

<http://www.siemens.com/specifications>



(1) Ausgefahren
 (2) Eingefahren