

circuit breaker 3VA2 IEC frame 400 breaking capacity class M  
 $I_{cu}=55kA @ 415V$  3-pole, motor protection ETU860M, LSIG,  
 $I_n=250A$  overload protection  $I_r=100A...250A$  short-circuit protection  
 $I_{sd}=1.2..15x I_n$ ,  $I_i=3..15x I_n$  gr.-fault prot., can be sw. off  $I_g=0.2...1 x I_n$ ,  $t_g=0.05-0.8s$  nut keeper kit



Model	
Product brand name	SETRON
Product designation	Molded case circuit breaker
Product version	Motor protection
Design of the overcurrent release	ETU860M
protection function of the overcurrent release	LSIG
Number of poles	3

General technical data	
Rated insulation voltage $U_i$	800 V
Max. rated operational voltage $U_e$ with AC 50/60Hz	690 V
Operating power / at AC-3 / at 400 V	110 000 W
Power loss [W] / maximum	38 W
Active power loss / for rated value of the current / at AC / in hot operating state / per pole	13 W
Mechanical service life (switching cycles) / typical	20 000
Electrical endurance (switching cycles) / at AC-1 / at 380/415 V 50/60 Hz	6 000
Electrical endurance (switching cycles) / at AC-1 / at 690 V 50/60 Hz	5 000

Electrical endurance (switching cycles) / at AC-3 / at 380/415 V 50/60 Hz	4 000
Neutral conductors / upgradeable/retrofitable	No
Ground fault monitoring version	Summation current formation L-conductor
Product function	
• communication function	Yes
• Phase failure detection	Yes
• other measurement function	Yes
Net weight	4.3 kg

### Current

Max. rated operational current of the frame size	400 A
Rated continuous current I <sub>u</sub>	250 A
Operating current	
• at 40 °C	250 A
• at 45 °C	250 A
• at 50 °C	250 A
• at 55 °C	250 A
• at 60 °C	250 A
• at 65 °C	250 A
• at 70 °C	250 A

### Switching capacity according to IEC 60947

Switching capacity class of the circuit breaker	M
Maximum short-circuit current breaking capacity (I <sub>cu</sub> )	
• at 240 V	85 kA
• at 415 V	55 kA
• at 440 V	55 kA
• at 500 V	36 kA
• at 690 V	5 kA
Operational short-circuit current breaking capacity (I <sub>cs</sub> )	
• at 240 V	85 kA
• at 415 V	55 kA
• at 440 V	55 kA
• at 500 V	36 kA
• at 690 V	5 kA
Short-circuit current making capacity (I <sub>cm</sub> )	
• at 240 V	187 kA
• at 415 V	121 kA
• at 440 V	121 kA
• at 500 V	76 kA
• at 690 V	7.5 kA

## Adjustable parameters

Adjustable response value current / I <sub>g</sub> min.	100 A
Adjustable response value current / I <sub>g</sub> min.	250 A
Adjustable response value current / I <sub>g</sub> min.	300 A
Adjustable response value current / I <sub>g</sub> min.	3 750 A
Short-term delayed / tripping switchable / I <sub>2t</sub> =ON/OFF	No
Adjustable response value time / t <sub>sd</sub> min.	0.03 s
Adjustable response value time / t <sub>sd</sub> max.	0.03 s
Adjustable response value current / I <sub>i</sub> min.	750 A
Adjustable response value current / I <sub>i</sub> max.	3 750 A
Ground fault protection can be switched ON/OFF	Yes
Ground fault protection / tripping switchable / I <sub>2t</sub> =ON/OFF	Yes
Adjustable response value current / I <sub>g</sub> min.	50 A
Adjustable response value current / I <sub>g</sub> max.	250 A
Adjustable response value current / t <sub>g</sub> min.	0.05 s
Adjustable response value current / t <sub>g</sub> max.	0.8 s
Adjustable response value current / for G-tripping / with I <sub>2t</sub> characteristic / min.	0.2 A
Adjustable response value current / for G-tripping / with I <sub>2t</sub> characteristic / max.	1 A

## Mechanical Design

Height [in]	9.8 in
Height	248 mm
Width [in]	5.4 in
Width	138 mm
Depth [in]	4.3 in
Depth	110 mm

## Connections

Arrangement of electrical connectors / for main current circuit	Front terminal
Type of electrical connection / for main current circuit	on both sides nut keeper kit
Type of connectable conductor cross-section, connection screw, width x thickness , min.	20 x 1 mm
Type of connectable conductor cross-section, connection screw, width x thickness , max.	35 x 10 mm

## Auxiliary circuit

Number of CO contacts / for auxiliary contacts	0
------------------------------------------------	---

## Accessories

Product extension / optional / motor drive	Yes
--------------------------------------------	-----


## Environmental conditions

Protection class IP / on the front	IP40
Ambient temperature	
<ul style="list-style-type: none"> <li>during operation / minimum</li> </ul>	-25 °C
<ul style="list-style-type: none"> <li>during operation / maximum</li> </ul>	70 °C
<ul style="list-style-type: none"> <li>during storage / minimum</li> </ul>	-40 °C
<ul style="list-style-type: none"> <li>during storage / maximum</li> </ul>	80 °C

## Certificates

Reference code / acc. to DIN EN 81346-2 Q

General Product Approval	EMC	Declaration of Conformity
 CCC  VDE <a href="#">Miscellaneous</a>	 EAC	 RCM  EG-Konf.

Test Certificates	Shipping Approval	other
<a href="#">Miscellaneous</a> <a href="#">Special Test Certificate</a>	 LRS	<a href="#">CCS / China Classification Society</a> <a href="#">Confirmation</a> <a href="#">Manufacturer Declaration</a>

## other

[Miscellaneous](#)

## Further information

### Information- and Downloadcenter (Catalogs, Brochures,...)

<http://www.siemens.com/lowvoltage/catalogs>

### Industry Mall (Online ordering system)

<https://mall.industry.siemens.com/mall/en/en/Catalog/product?mlfb=3VA2325-5MQ32-0AA0>

### Service&Support (Manuals, Certificates, Characteristics, FAQs,...)

<https://support.industry.siemens.com/cs/ww/en/ps/3VA2325-5MQ32-0AA0>

### Image database (product images, 2D dimension drawings, 3D models, device circuit diagrams, ...)

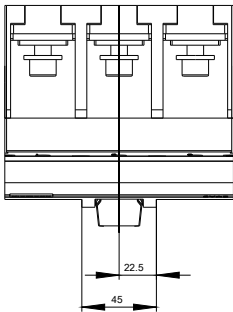
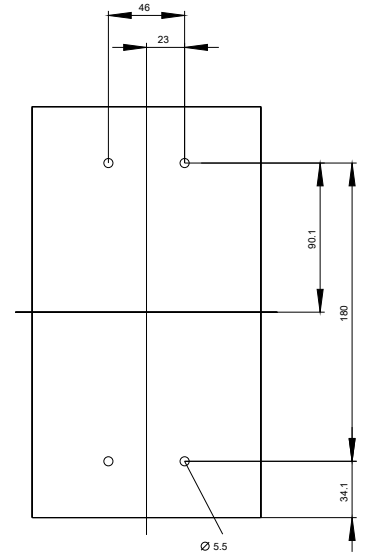
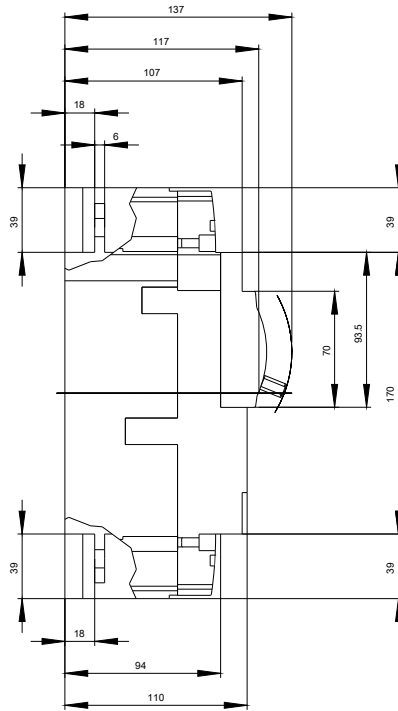
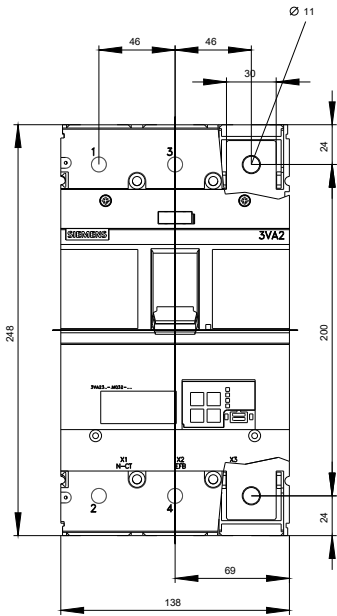
[http://www.automation.siemens.com/bilddb/cax\\_en.aspx?mlfb=3VA2325-5MQ32-0AA0](http://www.automation.siemens.com/bilddb/cax_en.aspx?mlfb=3VA2325-5MQ32-0AA0)

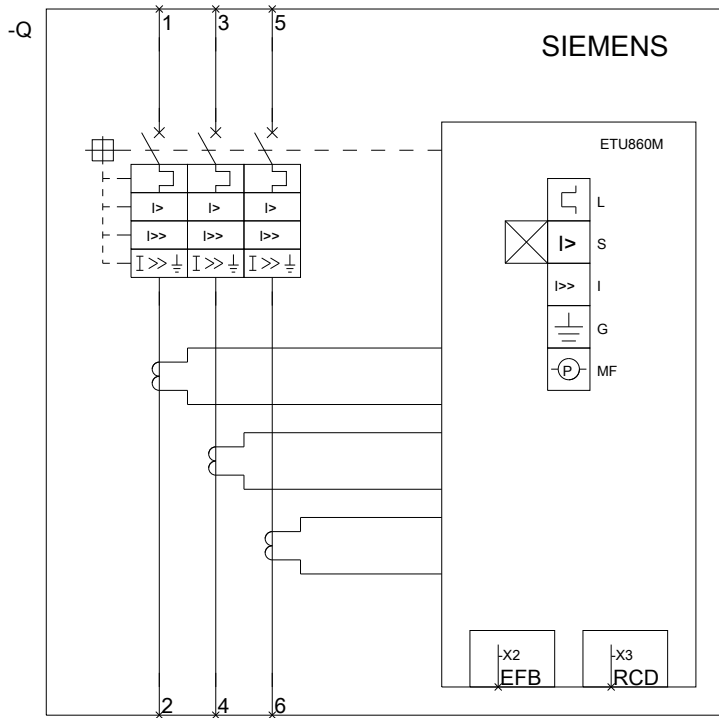
### CAX-Online-Generator

<http://www.siemens.com/cax>

### Tender specifications

<http://www.siemens.com/specifications>





Siemens

3VA2xxx-xMQ3x-0AA

Format / Size: Hybrid quer

last modified:

07/18/2020

