

Selector switch, 16 mm, round, plastic, red, 2 switch positions O-I, latching, actuating angle 90 degree



Figure similar

product brand name	SIRIUS
product designation	Selector switches
design of the product	Single device round
product type designation	3SB2

Enclosure	
number of command points	1

Actuator	
design of the operating mechanism	selector switch
manner of function of the actuating element	latching
<ul style="list-style-type: none"> product extension optional light source 	No
color	
<ul style="list-style-type: none"> of the actuating element 	red
material of the actuating element	plastic
outer diameter of the actuating element	19 mm
type of unlocking device	rotate-to-unlatch mechanism
number of switching positions	2
actuating angle	

- clockwise

90°

Front ring

product component front ring	Yes
design of the front ring	Standard
material of the front ring	plastic
color of the front ring	black

Holder

material of the holder	Plastic
------------------------	---------

General technical data

product function	
<ul style="list-style-type: none"> • EMERGENCY OFF function • EMERGENCY STOP function 	No
protection class IP	IP65
vibration resistance	
<ul style="list-style-type: none"> • acc. to IEC 60068-2-6 	20 ... 200 Hz: 5g
operating frequency maximum	1 000 1/h
mechanical service life (switching cycles)	
<ul style="list-style-type: none"> • typical 	300 000
reference code acc. to DIN EN 81346-2	S

Connections/ Terminals

tightening torque of the screws in the bracket	0.4 N·m
---	---------

Ambient conditions

environmental category during operation acc. to IEC 60721	3K6
---	-----

Installation/ mounting/ dimensions

mounting type	front panel mounting
shape of the installation opening	round
mounting diameter	16 mm
mounting height	17 mm
installation width	19 mm
installation depth	50 mm

Certificates/ approvals

General Product Approval	Declaration of Conformity	Test Certificates
--------------------------	---------------------------	-------------------



[Miscellaneous](#)

[Special Test Certificate](#)

Test Certificates	other	Railway
-------------------	-------	---------

[Miscellaneous](#)

[Confirmation](#)

[Special Test Certificate](#)

Further information

Information- and Downloadcenter (Catalogs, Brochures,...)

<https://www.siemens.com/ic10>

Industry Mall (Online ordering system)

<https://mall.industry.siemens.com/mall/en/en/Catalog/product?mfb=3SB2000-2HC01>

Cax online generator

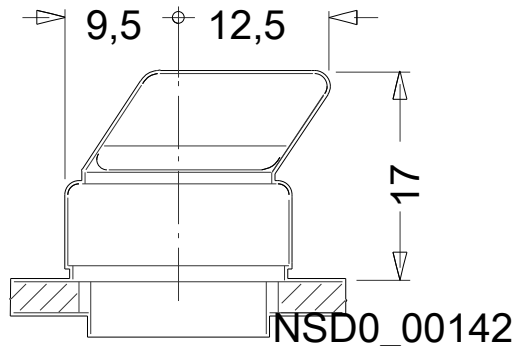
<http://support.automation.siemens.com/WW/CAXorder/default.aspx?lang=en&mfb=3SB2000-2HC01>

Service&Support (Manuals, Certificates, Characteristics, FAQs,...)

<https://support.industry.siemens.com/cs/ww/en/ps/3SB2000-2HC01>

Image database (product images, 2D dimension drawings, 3D models, device circuit diagrams, EPLAN macros, ...)

http://www.automation.siemens.com/bilddb/cax_de.aspx?mfb=3SB2000-2HC01&lang=en



last modified:

09/25/2020