

Selector switch, 16 mm, round, plastic, white, 3 switch positions I>O<II, momentary contact type, Retraction from left and right, Actuating angle 2 x 50 degree



Figure similar

product brand name	SIRIUS
product designation	Selector switches
design of the product	Single device round
product type designation	3SB2

Enclosure	
number of command points	1

Actuator	
design of the operating mechanism	selector switch
manner of function of the actuating element	momentary contact type
<ul style="list-style-type: none"> <li>product extension optional light source</li> </ul>	No
color	
<ul style="list-style-type: none"> <li>of the actuating element</li> </ul>	white
material of the actuating element	plastic
outer diameter of the actuating element	19 mm
type of unlocking device	without
number of switching positions	3
actuating angle	

- clockwise
- anticlockwise

50°

50°

### Front ring

product component front ring	Yes
design of the front ring	Standard
material of the front ring	plastic
color of the front ring	black

### Holder

material of the holder	Plastic
------------------------	---------

### General technical data

product function	
<ul style="list-style-type: none"> <li>• EMERGENCY OFF function</li> <li>• EMERGENCY STOP function</li> </ul>	No
protection class IP	IP65
vibration resistance	
<ul style="list-style-type: none"> <li>• acc. to IEC 60068-2-6</li> </ul>	20 ... 200 Hz: 5g
operating frequency maximum	1 000 1/h
mechanical service life (switching cycles)	
<ul style="list-style-type: none"> <li>• typical</li> </ul>	300 000
reference code acc. to DIN EN 81346-2	S

### Connections/ Terminals

tightening torque of the screws in the bracket	0.4 N·m
--	---------

### Ambient conditions

environmental category during operation acc. to IEC 60721	3K6
---	-----

### Installation/ mounting/ dimensions

mounting type	front panel mounting
shape of the installation opening	round
mounting diameter	16 mm
mounting height	17 mm
installation width	19 mm
installation depth	50 mm

### Certificates/ approvals

General Product Approval	Declaration of Conformity	Test Certificates
--------------------------	---------------------------	-------------------



[Miscellaneous](#)

[Special Test Certificate](#)

Test Certificates	other	Railway
-------------------	-------	---------

[Miscellaneous](#)

[Confirmation](#)

[Special Test Certificate](#)

### Further information

**Information- and Downloadcenter (Catalogs, Brochures,...)**

<https://www.siemens.com/ic10>

**Industry Mall (Online ordering system)**

<https://mall.industry.siemens.com/mall/en/en/Catalog/product?mfb=3SB2000-2EG01>

**Cax online generator**

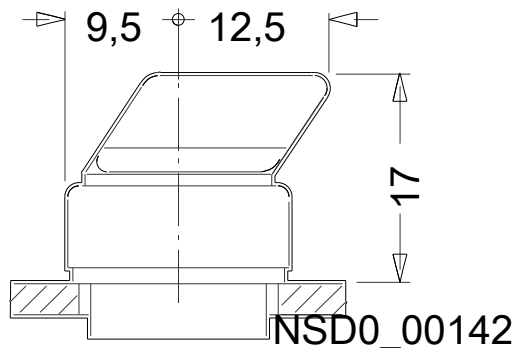
<http://support.automation.siemens.com/WW/CAXorder/default.aspx?lang=en&mfb=3SB2000-2EG01>

**Service&Support (Manuals, Certificates, Characteristics, FAQs,...)**

<https://support.industry.siemens.com/cs/ww/en/ps/3SB2000-2EG01>

**Image database (product images, 2D dimension drawings, 3D models, device circuit diagrams, EPLAN macros, ...)**

[http://www.automation.siemens.com/bilddb/cax\\_de.aspx?mfb=3SB2000-2EG01&lang=en](http://www.automation.siemens.com/bilddb/cax_de.aspx?mfb=3SB2000-2EG01&lang=en)



last modified:

09/25/2020