

EMERGENCY-STOP MUSHROOM PUSHBUTTON, 16MM, ROUND, PLASTIC, RED



Design of the product		Single device round with positive latching in accordance with ISO 13850
<b>Enclosure:</b>		
Number of control points		1
<b>Actuator:</b>		
Design of the operating mechanism		Emergency stop mushroom pushbutton
Manner of function of the actuating element		Latching
Product expansion optional Light source		No
Color		
• of the actuating element		Red
Material of the actuating element		plastic
Outer diameter of the actuating element	mm	28.5
Type of unlocking device		rotate-to-unlatch mechanism
Number of switching positions		2
<b>Front ring:</b>		
Product component front ring		No
<b>Holder:</b>		
Material of the holder		Plastic
<b>General technical data:</b>		
Product function		
• EMERGENCY OFF function		Yes
• EMERGENCY STOP function		Yes
Vibration resistance		
• acc. to IEC 60068-2-6		20 ... 200 Hz: 5g

Operating frequency maximum	1/h	1 000
Mechanical service life (switching cycles)		
• typical		300 000
Protection class IP		IP65
Equipment marking		
• acc. to DIN 40719 extended according to IEC 204-2 acc. to IEC 750		S
• acc. to DIN EN 61346-2		S
• acc. to DIN EN 81346-2		S

#### Safety related data:

B10 value with high demand rate acc. to SN 31920		100 000
Proportion of dangerous failures		
• with low demand rate acc. to SN 31920	%	20
• with high demand rate acc. to SN 31920	%	20
Failure rate [FIT] with low demand rate acc. to SN 31920	FIT	100
T1 value for proof test interval or service life acc. to IEC 61508	y	20

#### Ambient conditions:

Ambient temperature		
• during operation	°C	-25 ... +70
• during storage	°C	-40 ... +80

#### Installation/ mounting/ dimensions:

Mounting type		front mounting
Shape of the installation opening		round
Mounting diameter	mm	16

#### Certificates/ approvals:

General Product Approval	Declaration of Conformity	Test Certificates	other
--------------------------	---------------------------	-------------------	-------



UL



EG-Konf.

[Special Test Certificate](#)

[other](#)

[Confirmation](#)

#### other

[Environmental Confirmations](#)

#### Further information

**Information- and Downloadcenter (Catalogs, Brochures,...)**

<http://www.siemens.com/industrial-controls/catalogs>

**Industry Mall (Online ordering system)**

<http://www.siemens.com/industrymall>

**Cax online generator**

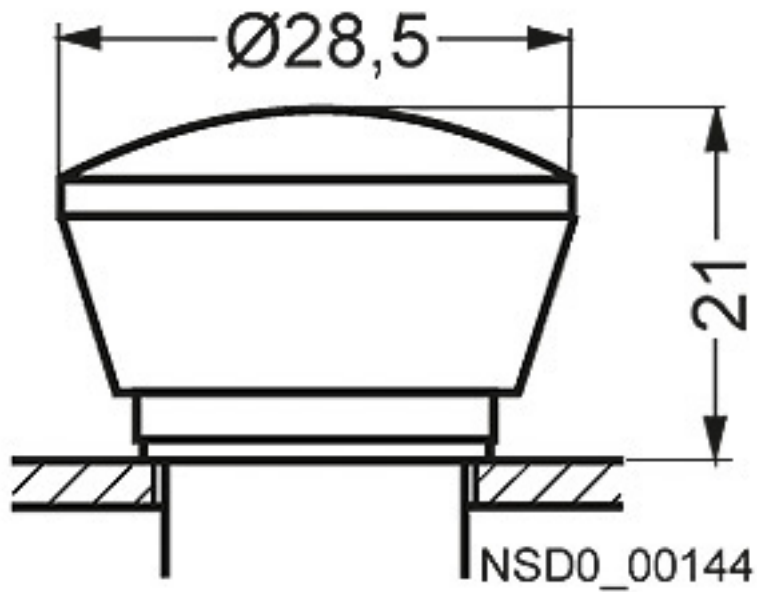
<http://support.automation.siemens.com/WW/CAXorder/default.aspx?lang=en&mfb=3SB20001AC01>

**Service&Support (Manuals, Certificates, Characteristics, FAQs,...)**

<http://support.automation.siemens.com/WW/view/en/3SB20001AC01/all>

**Image database (product images, 2D dimension drawings, 3D models, device circuit diagrams, EPLAN macros, ...)**

[http://www.automation.siemens.com/bilddb/cax\\_de.aspx?mfb=3SB20001AC01&lang=en](http://www.automation.siemens.com/bilddb/cax_de.aspx?mfb=3SB20001AC01&lang=en)



last modified:

09.03.2015