



CIRCUIT-BREAKER SIZE S00,
FOR MOTOR PROTECTION, CLASS 10,
A-REL. 4.5...6.3A,
N-REL. 82A SCREW TERMINAL,
STANDARD SWITCHING CAPACITY,
W. TRANSV. AUX. SWITCH 1NO+1NC

General technical data:

product brand name		SIRIUS
product designation		circuit breaker
Size of the circuit-breaker		S00
Trip class		CLASS 10
Degree of pollution		3
Installation altitude / at a height over sea level / maximum	m	2,000
Protection class IP / on the front		IP20
Ambient temperature		
• during storage	°C	-50 ... +80
• during operating	°C	-20 ... +70
• during transport	°C	80 ... -50
Resistance against shock		25g / 11 ms
Insulation voltage / rated value	V	690
Impulse voltage resistance / rated value	V	6,000
Active power loss / total / typical	W	6
Item designation		
• according to DIN 40719 extendable after IEC 204-2 / according to IEC 750		Q
• according to DIN EN 61346-2		Q

Mechanical operating cycles as operating time / of the main contacts / typical		100,000
Design of the auxiliary switch		transverse
Type of the driving mechanism / motor drive		No
Design of the operating mechanism		rocker
Product function		
• overload protection		Yes
• phase disturbance recognition		Yes
Product component		
• auxiliary switch		Yes
• undervoltage release mechanism		No
• trip indicator		Yes
Product extension / optional / motor drive		No

Main circuit:

Number of poles / for main current circuit		3
type of voltage		AC/DC
Operating voltage / at AC-3 / rated value / maximum	V	690
Operating current / at AC-3 / at 400 V / rated value	A	6.3
Service power / at AC-3		
• at 400 V / rated value	kW	2.2
Frequency of operation / at AC-3 / according to IEC 60947-6-2 / maximum	1/h	15
Arrangement of electrical connectors / for main current circuit		front side
Adjustable response current		
• of the non-delayed short-circuit release	A	82 ... 82
Adjustable response current		
• of the current-dependent overload release	A	4.5 ... 6.3
Continuous current / rated value	A	6.3
Product extension / auxiliary switch		Yes

Auxiliary circuit:

Number of NC contacts / for auxiliary contacts / instantaneous switching		1
Number of NO contacts / for auxiliary contacts / instantaneous switching		1
Number of change-over switches / for auxiliary contacts		0
Operating current / of the auxiliary contacts		
• at AC-15		
• at 24 V	A	2
• at 230 V	A	0.5
• at DC-13		

- at 24 V
- at 60 V

A	1
A	0.15

Inputs/ Outputs:

Number of digital inputs

0

Short-circuit:

Breaking capacity limit short-circuit current (I_{cu})

- at 400 V / rated value
- at 500 V / rated value
- at 690 V / rated value

kA	100
kA	3
kA	2

Design of the electrical connection / for auxiliary and control current circuit

screw-type terminals

Design of the overcurrent release and short-circuit release

thermomagnetic

Installation/mounting/dimensions:

Built in orientation

any

Type of mounting

screw and snap-on mounting onto 35 mm standard mounting rail according to DIN EN 50022

Width

mm 45

Height

mm 90

Depth

mm 81

Distance, to be maintained, to the ranks assembly

- backwards
- sideways

mm	0
mm	0

Product function / removable terminal for auxiliary and control circuit

No

Connections:

Design of the electrical connection

- for main current circuit

screw-type terminals

Type of the connectable conductor cross-section

- for main contacts
 - solid
 - stranded
 - finely stranded
 - with conductor end processing
- for AWG conductors / for main contacts
- for auxiliary contacts
 - solid
 - finely stranded / with conductor end processing
- for AWG conductors / for auxiliary contacts

2x (0.5 ... 1.5 mm ²), 2x (0.75 ... 2.5 mm ²)
2x (0.5 ... 1.5 mm ²), 2x (0.75 ... 2.5 mm ²)
2x (0.5 ... 1.5 mm ²), 2x (0.75 ... 2.5 mm ²)
2x (18 ... 14)
2x (0.5 ... 1.5 mm ²), 2x (0.75 ... 2.5 mm ²)
2x (0.5 ... 1.5 mm ²), 2x (0.75 ... 2.5 mm ²)
2x (18 ... 14)

Conductor cross section that can be connected / for main contacts <ul style="list-style-type: none"> • solid • stranded • stranded wire <ul style="list-style-type: none"> • with conductor end processing 	mm ²	0.5 ... 2.5
	mm ²	0.5 ... 2.5
	mm ²	0.5 ... 2.5
AWG number / as coded connectable conductor cross-section <ul style="list-style-type: none"> • for main contacts 		18 ... 14
Conductor cross-section that can be connected / for auxiliary contact <ul style="list-style-type: none"> • solid • stranded wire <ul style="list-style-type: none"> • with conductor end processing 	mm ²	0.5 ... 2.5
	mm ²	0.5 ... 2.5
AWG number / as coded connectable conductor cross-section <ul style="list-style-type: none"> • for auxiliary contact 		18 ... 14

Certificates/approvals:

General Product Approval

For use in hazardous locations



CQC



CSA

[KETI](#)

[ROSTEST](#)



UL

[DEKRA EXAM, DMT](#)

Test Certificates

[Manufacturer](#)

Shipping Approval



ABS



BUREAU VERITAS



DNV



GL



LRS



PRS

Shipping Approval

other



RMRS

[Manufacturer](#)

[other](#)

Safety:

Protection against electrical shock

finger-safe

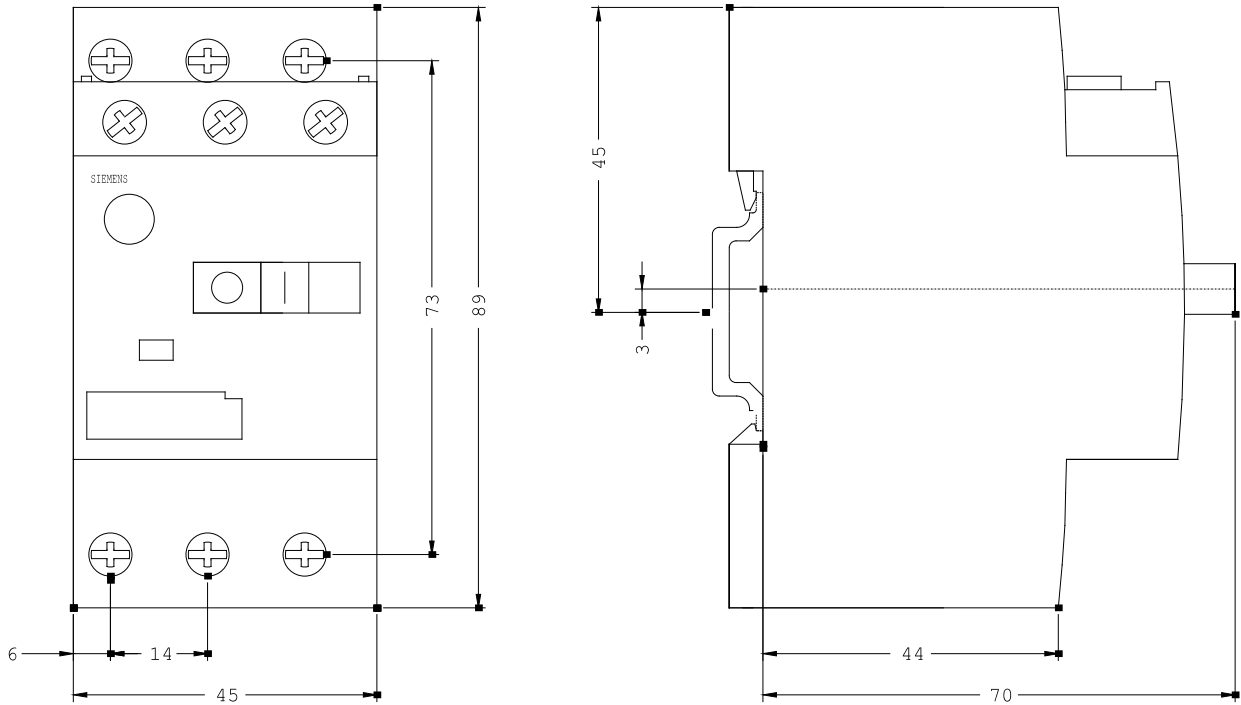
Further information:

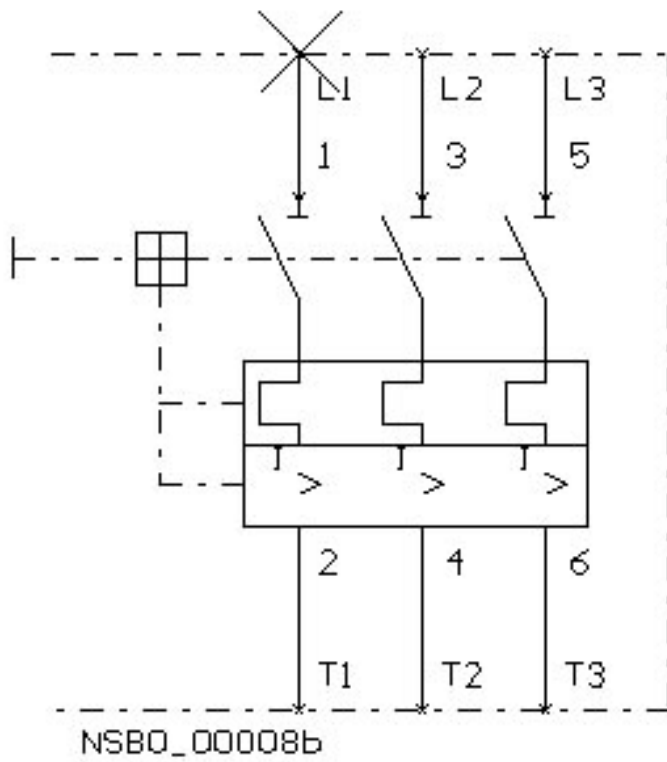
Information- and Downloadcenter (Catalogs, Brochures,...)

<http://www.siemens.com/industrial-controls/catalogs>

Industry Mall (Online ordering system)

<http://www.siemens.com/industrial-controls/mall>





last change:

Feb 6, 2012