

Cable release for reset 0.4 m for 3RU2 Size S00...S3



General technical data		
Product brand name		SIRIUS
Product designation		cable release with holder for RESET
Design of the product		400 mm long
Size of overload relay		S00, S0
Ambient temperature		
• during storage	°C	-50 ... +80
• during operation	°C	-20 ... +70
Installation/ mounting/ dimensions		
Length	mm	400
Mounting diameter	mm	6.5
Certificates/ approvals		

General Product Approval	Declaration of Conformity	Test Certificates	Shipping Approval
--------------------------	---------------------------	-------------------	-------------------



[Miscellaneous](#)

[Type Test Certificates/Test Report](#)



Shipping Approval	other
-------------------	-------



[Confirmation](#)

### Further information

**Information- and Downloadcenter (Catalogs, Brochures,...)**

<https://www.siemens.com/ic10>

**Industry Mall (Online ordering system)**

<https://mall.industry.siemens.com/mall/en/en/Catalog/product?mfb=3RU2900-1B>

**Cax online generator**

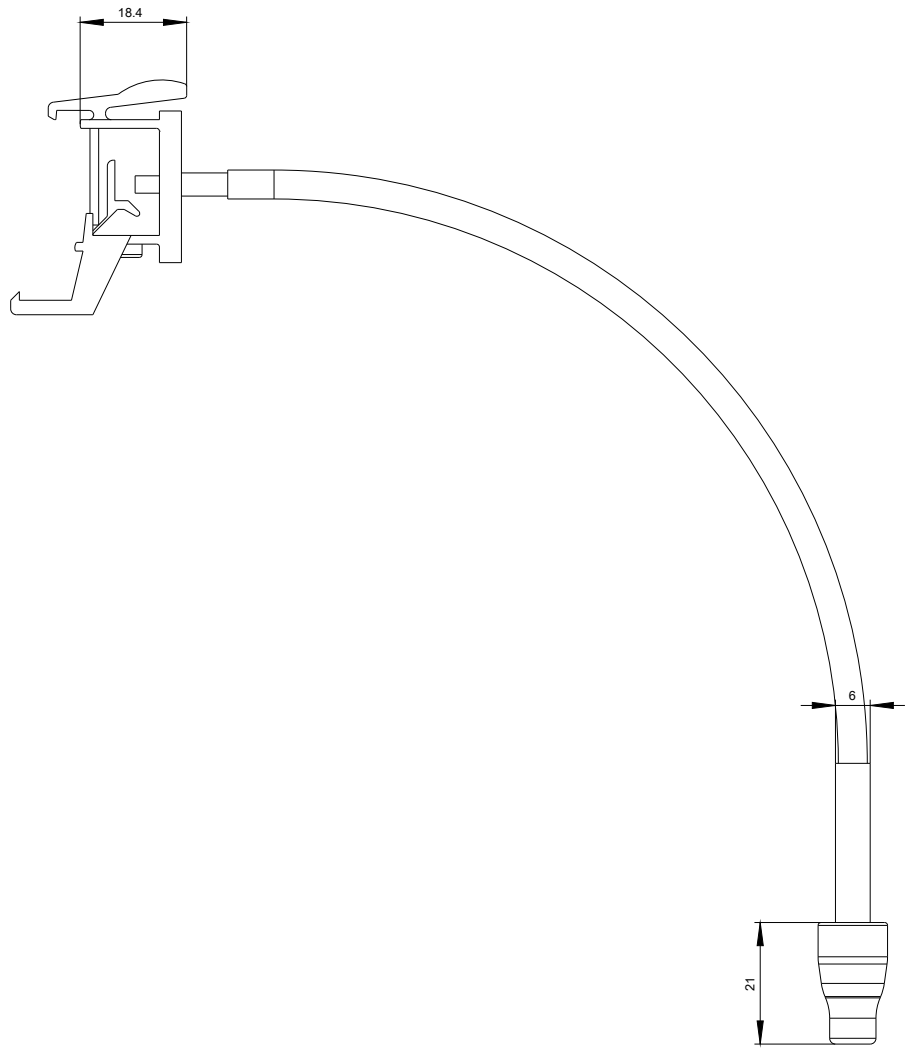
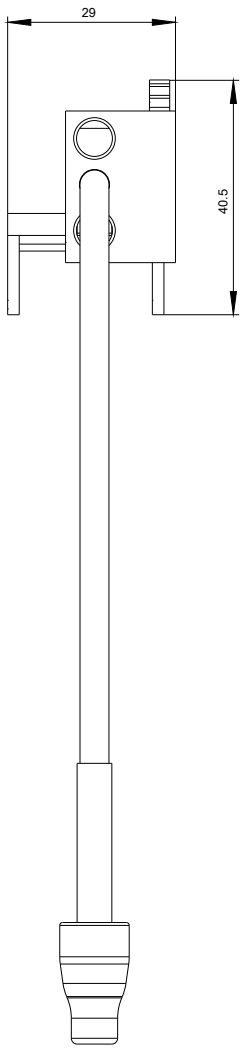
<http://support.automation.siemens.com/WW/CAXorder/default.aspx?lang=en&mfb=3RU2900-1B>

**Service&Support (Manuals, Certificates, Characteristics, FAQs,...)**

<https://support.industry.siemens.com/cs/ww/en/ps/3RU2900-1B>

**Image database (product images, 2D dimension drawings, 3D models, device circuit diagrams, EPLAN macros, ...)**

[http://www.automation.siemens.com/bilddb/cax\\_de.aspx?mfb=3RU2900-1B&lang=en](http://www.automation.siemens.com/bilddb/cax_de.aspx?mfb=3RU2900-1B&lang=en)



last modified:

03/20/2020