

CONTACTOR, AC-3 22 KW/400 V, AC 230 V, 50 HZ, 3-POLE, SIZE S2, SCREW CONNECTION



Figure similar

| | |
|---------------------|-----------------|
| product brand name | SIRIUS |
| Product designation | power contactor |

General technical data:

| | |
|---|------------|
| Size of contactor | S2 |
| Insulation voltage | |
| • Rated value | 690 V |
| Surge voltage resistance Rated value | 6 kV |
| Protection class IP | |
| • on the front | IP00 |
| • of the terminal | IP00 |
| Degree of pollution | 3 |
| Mechanical service life (switching cycles) | |
| • of the contactor typical | 10 000 000 |
| • of the contactor with added electronics-compatible auxiliary switch block typical | 5 000 000 |
| • of the contactor with added auxiliary switch block typical | 10 000 000 |

Ambient conditions:

| | |
|--|--------------------|
| Installation altitude at height above sea level maximum | 2 000 m |
| Ambient temperature | |
| • during operation | -25 ... +60 °C |
| • during storage | -55 ... +80 °C |
| Main circuit: | |
| Number of NO contacts for main contacts | 3 |
| Number of NC contacts for main contacts | 0 |
| Operating current | |
| • at AC-1 at 400 V | |
| — at ambient temperature 40 °C Rated value | 60 A |
| • at AC-1 up to 690 V | |
| — at ambient temperature 40 °C Rated value | 60 A |
| — at ambient temperature 60 °C Rated value | 55 A |
| • at AC-3 | |
| — at 400 V Rated value | 50 A |
| — at 690 V Rated value | 24 A |
| Connectable conductor cross-section in main circuit at AC-1 | |
| • at 60 °C minimum permissible | 16 mm ² |
| • at 40 °C minimum permissible | 16 mm ² |
| Operating current for ≥ 200000 operating cycles at AC-4 | |
| • at 400 V Rated value | 24 A |
| • at 690 V Rated value | 12.6 A |
| Operating current | |
| • at 1 current path at DC-1 | |
| — at 24 V Rated value | 55 A |
| — at 110 V Rated value | 4.5 A |
| • with 2 current paths in series at DC-1 | |
| — at 24 V Rated value | 55 A |
| — at 110 V Rated value | 25 A |
| • with 3 current paths in series at DC-1 | |
| — at 24 V Rated value | 55 A |
| — at 110 V Rated value | 55 A |
| Operating current | |
| • at 1 current path at DC-3 at DC-5 | |
| — at 24 V Rated value | 35 A |
| — at 110 V Rated value | 2.5 A |
| • with 2 current paths in series at DC-3 at DC-5 | |
| — at 110 V Rated value | 25 A |
| — at 24 V Rated value | 55 A |

| | |
|--|---|
| <ul style="list-style-type: none"> • with 3 current paths in series at DC-3 at DC-5 <ul style="list-style-type: none"> — at 110 V Rated value — at 24 V Rated value | 55 A 55 A |
| Operating power | |
| <ul style="list-style-type: none"> • at AC-1 <ul style="list-style-type: none"> — at 230 V at 60 °C Rated value — at 400 V Rated value — at 690 V Rated value — at 690 V at 60 °C Rated value • at AC-2 at 400 V Rated value • at AC-3 <ul style="list-style-type: none"> — at 230 V Rated value — at 400 V Rated value — at 500 V Rated value — at 690 V Rated value | 22 kW 38 kW 66 kW 66 kW 22 kW 15 kW 22 kW 30 kW 22 kW |
| Operating power for ≥ 200000 operating cycles at AC-4 | |
| <ul style="list-style-type: none"> • at 400 V Rated value • at 690 V Rated value | 12.6 kW 11.4 kW |
| Thermal short-time current limited to 10 s | 400 A |
| Active power loss at AC-3 at 400 V for rated value of the operating current per conductor | 5 W |
| No-load switching frequency | |
| <ul style="list-style-type: none"> • at AC | 5 000 1/h |
| Operating frequency | |
| <ul style="list-style-type: none"> • at AC-1 maximum • at AC-2 maximum • at AC-3 maximum • at AC-4 maximum | 1 000 1/h 400 1/h 800 1/h 300 1/h |
| Control circuit/ Control: | |
| Type of voltage of the control supply voltage | AC |
| Control supply voltage at AC | |
| <ul style="list-style-type: none"> • at 50 Hz Rated value • Rated value | 230 V 50 Hz |
| Operating range factor control supply voltage rated value of the magnet coil at AC | |
| <ul style="list-style-type: none"> • at 50 Hz | 0.8 ... 1.1 |
| Apparent pick-up power of the magnet coil at AC | 145 V·A |
| Inductive power factor with closing power of the coil | 0.79 |
| Apparent holding power of the magnet coil at AC | 12.5 V·A |
| Inductive power factor with the holding power of the coil | 0.36 |

| | |
|---|--------------|
| Closing delay | |
| <ul style="list-style-type: none"> • at AC | 10 ... 24 ms |
| Arcing time | 10 ... 15 ms |

Auxiliary circuit:

| | |
|--|---|
| Number of NC contacts | |
| <ul style="list-style-type: none"> • for auxiliary contacts <ul style="list-style-type: none"> — instantaneous contact | 0 |
| Number of NO contacts | |
| <ul style="list-style-type: none"> • for auxiliary contacts <ul style="list-style-type: none"> — instantaneous contact | 0 |
| Operating current at AC-12 maximum | 10 A |
| Operating current at AC-15 | |
| <ul style="list-style-type: none"> • at 230 V Rated value • at 400 V Rated value | 6 A 3 A |
| Operating current at DC-12 | |
| <ul style="list-style-type: none"> • at 60 V Rated value • at 110 V Rated value • at 220 V Rated value | 6 A 3 A 1 A |
| Operating current at DC-13 | |
| <ul style="list-style-type: none"> • at 24 V Rated value • at 60 V Rated value • at 110 V Rated value • at 220 V Rated value | 10 A 2 A 1 A 0.3 A |
| Contact reliability of the auxiliary contacts | 1 faulty switching per 100 million (17 V, 1 mA) |

UL/CSA ratings:

| | |
|--|-------------|
| Contact rating of the auxiliary contacts acc. to UL | A600 / Q600 |
|--|-------------|

Short-circuit:

| | |
|---|---|
| Design of the fuse link | |
| <ul style="list-style-type: none"> • for short-circuit protection of the main circuit <ul style="list-style-type: none"> — with type of assignment 1 required — with type of assignment 2 required • for short-circuit protection of the auxiliary switch required | fuse gL/gG: 160 A fuse gL/gG: 80 A fuse gL/gG: 10 A |

Installation/ mounting/ dimensions:

| | |
|---|--|
| Mounting type | screw and snap-on mounting onto 35 mm standard mounting rail according to DIN EN 50022 |
| <ul style="list-style-type: none"> • Side-by-side mounting | Yes |
| Height | 112 mm |
| Width | 55 mm |
| Depth | 115 mm |
| Required spacing | |

- for grounded parts
— at the side

6 mm

Certificates/ approvals:

| General Product Approval | Functional Safety/Safety of Machinery | Declaration of Conformity |
|--------------------------|---------------------------------------|---------------------------|
|--------------------------|---------------------------------------|---------------------------|



[Baumusterbescheinigung](#)



| Test Certificates | Shipping Approval |
|-------------------|-------------------|
|-------------------|-------------------|

[Typprüfbescheinigung/Werkszeugnis](#)

[spezielle Prüfbescheinigung](#)
[n](#)



| Shipping Approval | other |
|-------------------|-------|
|-------------------|-------|



[Umweltbestätigung](#)

[Bestätigungen](#)

[sonstig](#)

Further information

Information- and Downloadcenter (Catalogs, Brochures,...)

<http://www.siemens.com/industrial-controls/catalogs>

Industry Mall (Online ordering system)

<http://www.siemens.com/industrymall>

Cax online generator

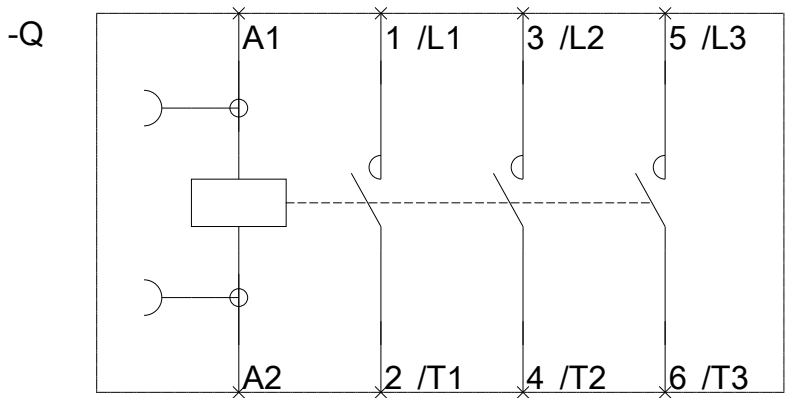
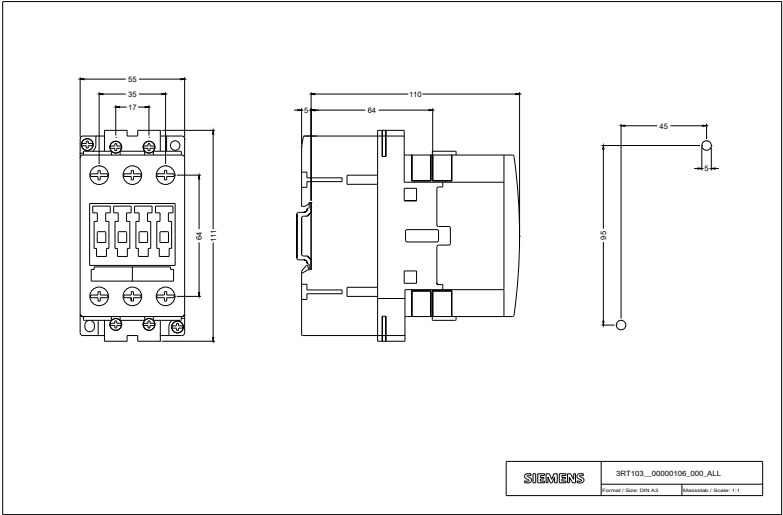
<http://support.automation.siemens.com/WW/CAXorder/default.aspx?lang=en&mlfb=3RT10361AP00>

Service&Support (Manuals, Certificates, Characteristics, FAQs,...)

<https://support.industry.siemens.com/cs/ww/en/ps/3RT10361AP00>

Image database (product images, 2D dimension drawings, 3D models, device circuit diagrams, EPLAN macros, ...)

http://www.automation.siemens.com/bilddb/cax_de.aspx?mlfb=3RT10361AP00&lang=en



last modified:

31.07.2015