

Overload relay 50...200 A for motor protection Size S6, Class 10E Contactor mounting/stand-alone installation Main circuit: busbar connection Auxiliary circuit: Screw terminal Manual-Automatic-Reset



product brand name	SIRIUS
product designation	solid-state overload relay
product type designation	3RB2
General technical data	
size of overload relay	S6
size of contactor can be combined company-specific	S6
insulation voltage with degree of pollution 3 at AC rated value	1 000 V
surge voltage resistance rated value	8 kV
maximum permissible voltage for protective separation	
<ul style="list-style-type: none"> in networks with ungrounded star point between auxiliary and auxiliary circuit 	300 V
<ul style="list-style-type: none"> in networks with grounded star point between auxiliary and auxiliary circuit 	300 V
<ul style="list-style-type: none"> in networks with ungrounded star point between main and auxiliary circuit 	600 V
<ul style="list-style-type: none"> in networks with grounded star point between main and auxiliary circuit 	690 V
shock resistance	15g / 11 ms
<ul style="list-style-type: none"> according to IEC 60068-2-27 	15g / 11 ms
thermal current	200 A
reference code according to IEC 81346-2	F
Substance Prohibitance (Date)	07/01/2006
SVHC substance name	Lead - 7439-92-1 Lead monoxide (lead oxide) - 1317-36-8
Weight	1.063 kg
Ambient conditions	
installation altitude at height above sea level maximum	2 000 m
ambient temperature	
<ul style="list-style-type: none"> during operation 	-25 ... +60 °C
<ul style="list-style-type: none"> during storage 	-40 ... +80 °C
<ul style="list-style-type: none"> during transport 	-40 ... +80 °C
temperature compensation	-25 ... +60 °C
relative humidity during operation	10 ... 95 %
Main circuit	
number of poles for main current circuit	3
adjustable current response value current of the current-dependent overload release	50 ... 200 A
operating voltage	
<ul style="list-style-type: none"> rated value 	1 000 V
<ul style="list-style-type: none"> at AC-3e rated value maximum 	1 000 V
operating frequency rated value	50 ... 60 Hz
operational current rated value	200 A

operational current at AC-3e at 400 V rated value	200 A
operating power	
• for 3-phase motors at 400 V at 50 Hz	30 ... 90 kW
• for AC motors at 500 V at 50 Hz	30 ... 132 kW
• for AC motors at 690 V at 50 Hz	55 ... 160 kW
Auxiliary circuit	
design of the auxiliary switch	integrated
number of NC contacts for auxiliary contacts	1
• note	for contactor disconnection
number of NO contacts for auxiliary contacts	1
• note	for message "tripped"
number of CO contacts for auxiliary contacts	0
operational current of auxiliary contacts at AC-15	
• at 24 V	4 A
• at 110 V	4 A
• at 120 V	4 A
• at 125 V	4 A
• at 230 V	3 A
operational current of auxiliary contacts at DC-13	
• at 24 V	2 A
• at 60 V	0.55 A
• at 110 V	0.3 A
• at 125 V	0.3 A
• at 220 V	0.11 A
Protective and monitoring functions	
trip class	CLASS 10E
design of the overload release	electronic
UL/CSA ratings	
full-load current (FLA) for 3-phase AC motor	
• at 480 V rated value	200 A
• at 600 V rated value	200 A
contact rating of auxiliary contacts according to UL	B600 / R300
Short-circuit protection	
design of the fuse link	
• for short-circuit protection of the main circuit	
— with type of coordination 1 required	gG: 355 A, Class L: 601 A
— with type of assignment 2 required	gG: 315 A
• for short-circuit protection of the auxiliary switch required	fuse gG: 6 A
Installation/ mounting/ dimensions	
mounting position	any
fastening method	Contacting mounting/stand-alone installation
height	119 mm
width	120 mm
depth	155 mm
Connections/ Terminals	
product component removable terminal for auxiliary and control circuit	Yes
type of electrical connection	
• for main current circuit	busbar connection
• for auxiliary and control circuit	screw-type terminals
arrangement of electrical connectors for main current circuit	Top and bottom
type of connectable conductor cross-sections	
• for auxiliary contacts	
— solid	1x (0.5 ... 4 mm ²), 2x (0.5 ... 2.5 mm ²)
— solid or stranded	1x (0.5 ... 4 mm ²), 2x (0.5 ... 2.5 mm ²)
— finely stranded with core end processing	1x (0.5 ... 2.5 mm ²), 2x (0.5 ... 1.5 mm ²)
• for AWG cables for auxiliary contacts	2x (20 ... 14)
tightening torque	
• for main contacts with screw-type terminals	10 ... 12 N·m
• for auxiliary contacts with screw-type terminals	0.8 ... 1.2 N·m

design of the thread of the connection screw	
<ul style="list-style-type: none"> • for main contacts • of the auxiliary and control contacts 	M8 M3
Electrical Safety	
protection class IP on the front according to IEC 60529	IP00; IP20 with box terminal/cover
touch protection on the front according to IEC 60529	finger-safe, for vertical contact from the front with box terminal/cover
Communication/ Protocol	
type of voltage supply via input/output link master	No
Electromagnetic compatibility	
conducted interference	
<ul style="list-style-type: none"> • due to burst according to IEC 61000-4-4 • due to conductor-earth surge according to IEC 61000-4-5 • due to conductor-conductor surge according to IEC 61000-4-5 • due to high-frequency radiation according to IEC 61000-4-6 	2 kV (power ports), 1 kV (signal ports) corresponds to degree of severity 3 2 kV (line to earth) corresponds to degree of severity 3 1 kV (line to line) corresponds to degree of severity 3 10 V in frequency range 0.15 to 80 MHz, modulation 80 % AM with 1 kHz
field-based interference according to IEC 61000-4-3	10 V/m
electrostatic discharge according to IEC 61000-4-2	6 kV contact discharge / 8 kV air discharge
Display	
display version for switching status	Slide switch
Approvals Certificates	
General Product Approval	



[Confirmation](#)

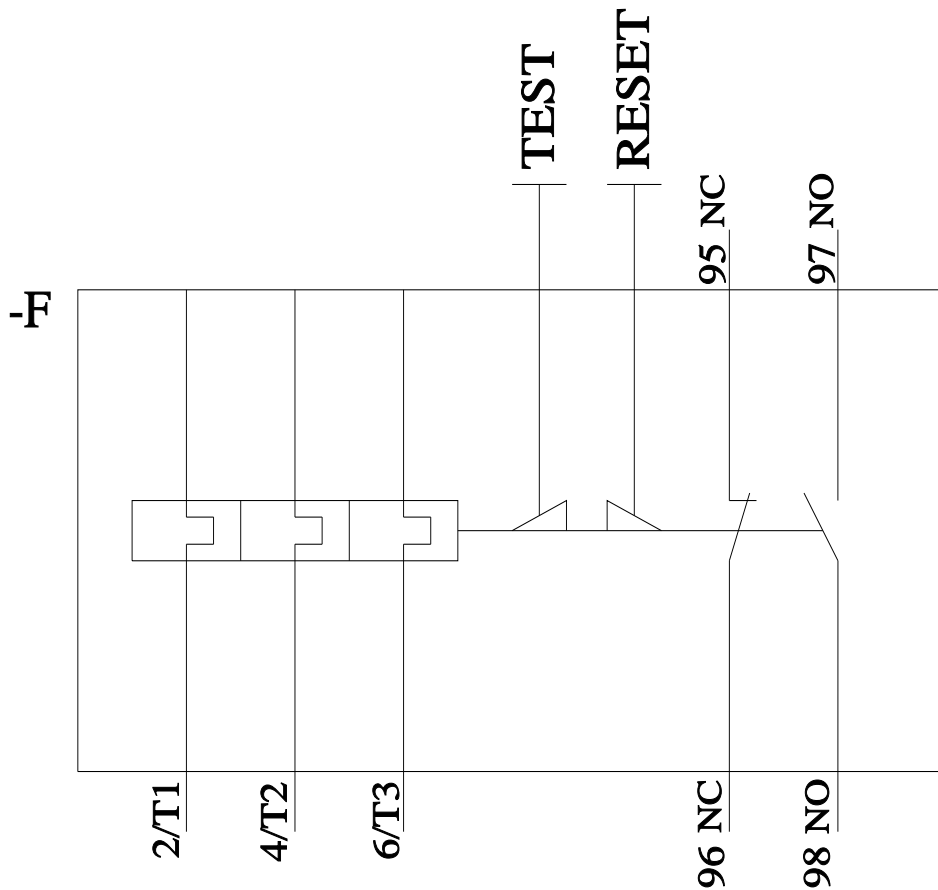
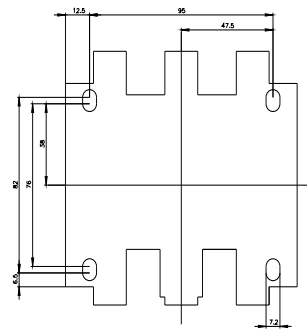
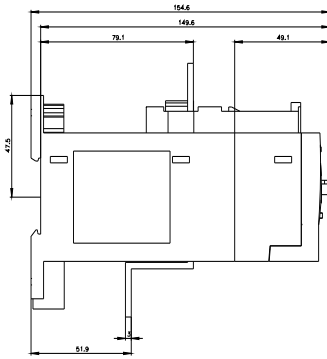
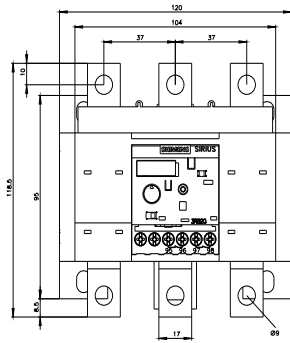


EMV	For use in hazardous locations	Test Certificates	Marine / Shipping
	KC		
		Type Test Certificates/Test Report	Special Test Certificate

Marine / Shipping	other	Environment
	Confirmation	Miscellaneous
		Environmental Confirmations

Further information

Information on the packaging
<https://support.industry.siemens.com/cs/ww/en/view/109813875>
 Information- and Downloadcenter (Catalogs, Brochures,...)
<https://www.siemens.com/ic10>
 Industry Mall (Online ordering system)
<https://mall.industry.siemens.com/mall/en/en/Catalog/product?mlfb=3RB2056-1FC2>
 Cax online generator
<http://support.automation.siemens.com/WW/CAXorder/default.aspx?lang=en&mlfb=3RB2056-1FC2>
 Service&Support (Manuals, Certificates, Characteristics, FAQs,...)
<https://support.industry.siemens.com/cs/ww/en/ps/3RB2056-1FC2>
 Image database (product images, 2D dimension drawings, 3D models, device circuit diagrams, EPLAN macros, ...)
http://www.automation.siemens.com/bilddb/cax_de.aspx?mlfb=3RB2056-1FC2&lang=en
 Characteristic: Tripping characteristics, I²t, Let-through current
<https://support.industry.siemens.com/cs/ww/en/ps/3RB2056-1FC2/char>
 Further characteristics (e.g. electrical endurance, switching frequency)
<http://www.automation.siemens.com/bilddb/index.aspx?view=Search&mlfb=3RB2056-1FC2&objecttype=14&gridview=view1>



last modified:

3/11/2024

